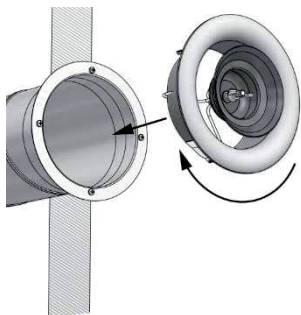


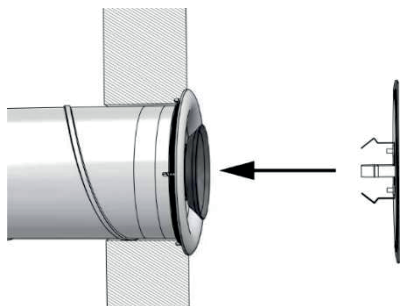
Installation instructions

Installation of the valve



Press the body of the valve into the element and rotate it in a clockwise direction.

Attachment and disassembly of the front face



Lock the valve cone using a winged nut.

Press the front face with the springs into the valve cone and attach the plate to the valve.

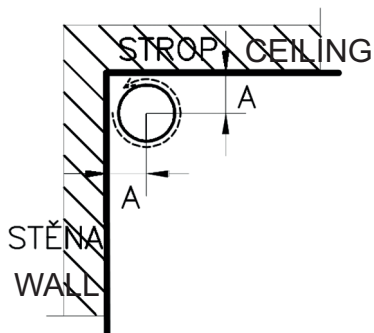
Pull the plate with the springs out of the valve cone to dismantle the front plate.

Regulation of the air flow-through rate

Turn the front plate to increase (reduce) the air flow-through rate. It is recommended that the air flow-through rate be measured with the attached front plate. After accurate regulation, dismantle the front plate and lock the internal part of the valve using the winged nut. Then reattach the glass front plate into the valve cone by pressing it in.

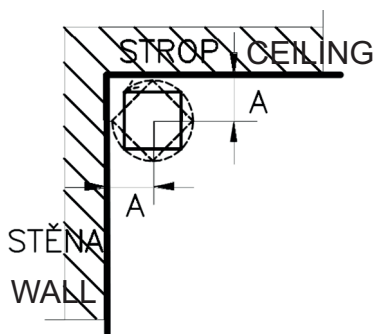
Minimum distance between the valve plate and the wall and ceiling:

circle of a diameter of 200 mm



For piping with a diameter of 125 mm distance "A" from the wall and ceiling min. 110 mm.

square with dimensions of 200 x 200 mm



For piping with a diameter of 125 mm distance "A" from the wall and ceiling min. 150 mm.